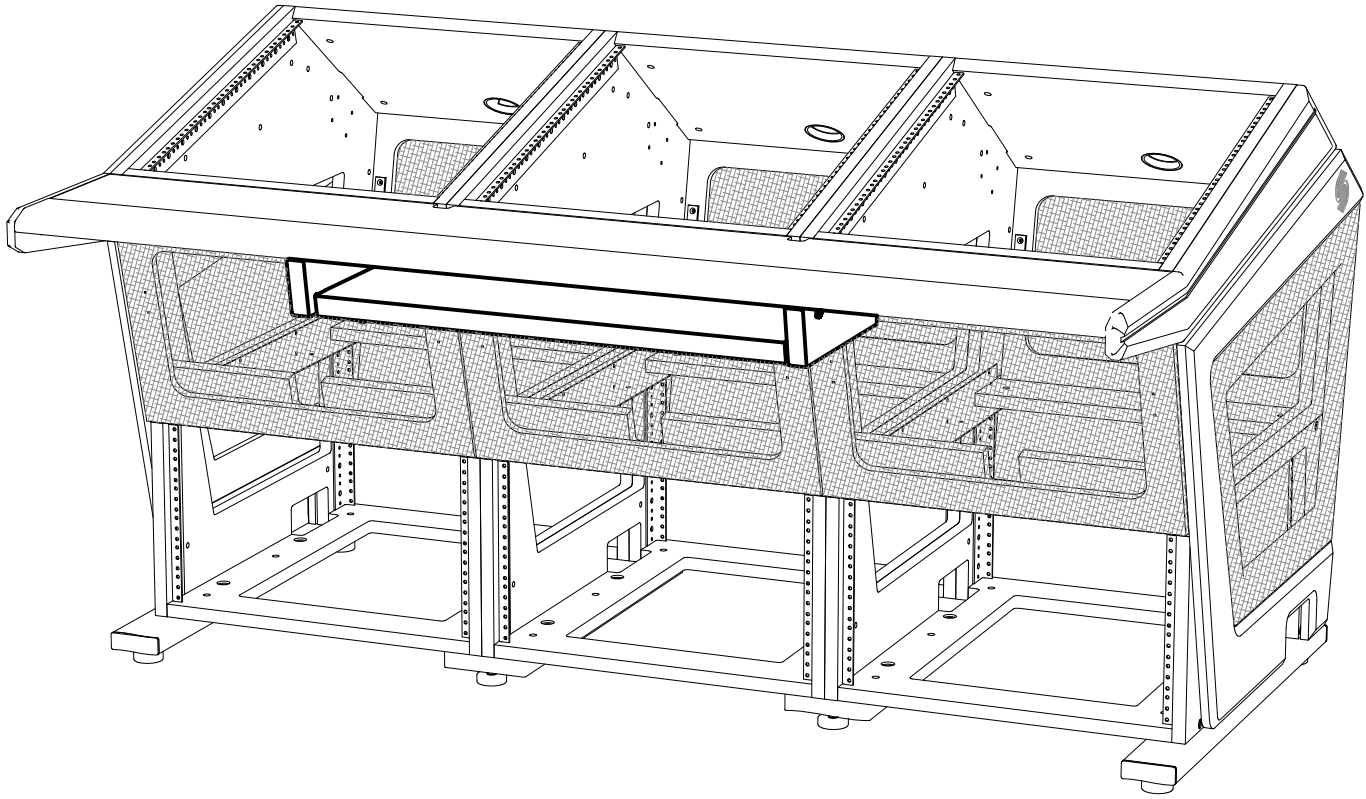


Plan Series Keyboard Tray - Assembly Instructions



Thank you for your purchase from Sterling Modular Systems, Inc.
We hope you have years of success with this finely engineered product.

If you have any questions regarding assembly, missing or damaged pieces.
Please contact us:

Telephone: 610-369-5802 (8am to 3pm EST)
Email: sales@sterlingmodular.com

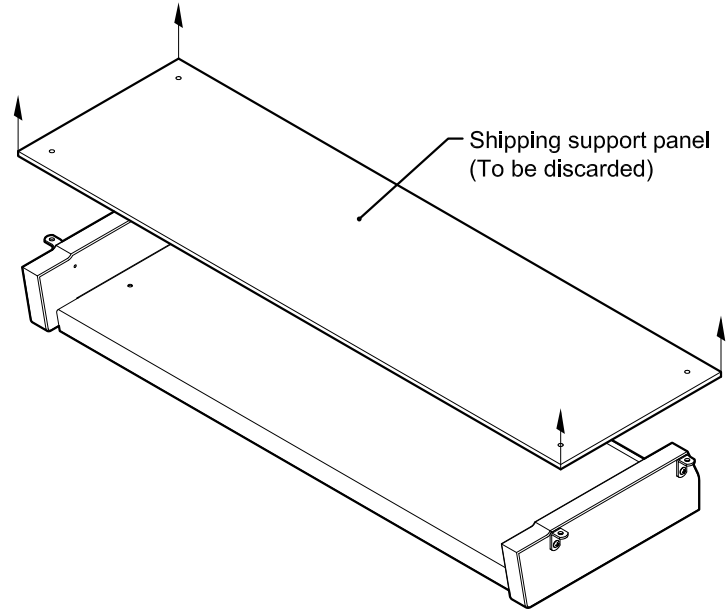
Thank You,
Sterling Modular Systems, Inc.



Plan Series Keyboard Tray - Assembly Instructions

Step 1

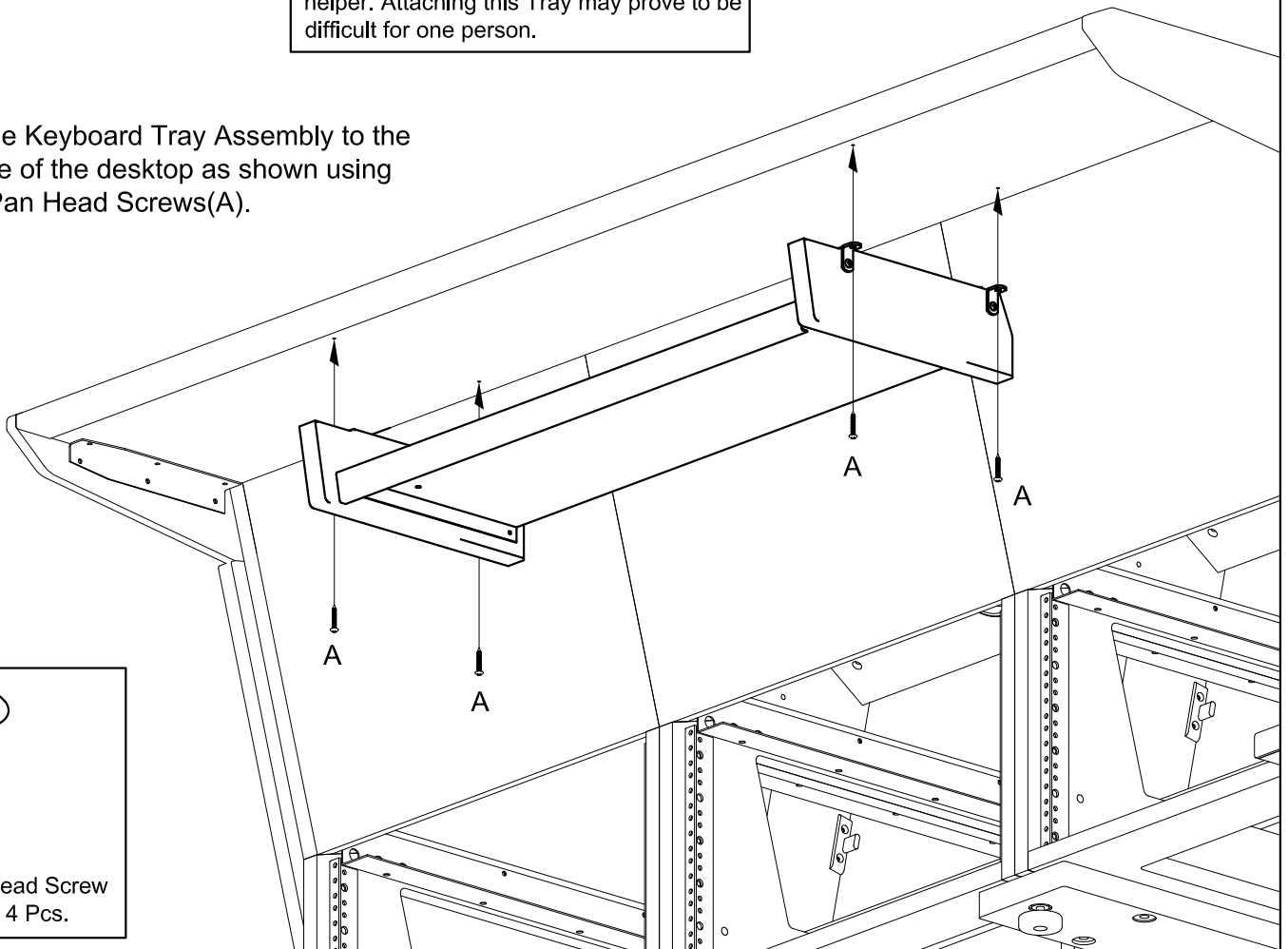
Unpack the assembled Keyboard Tray. Remove screws that secure the shipping support panel and discard the panel.



Step 2

Note:
For this step it is recommended to have a helper. Attaching this Tray may prove to be difficult for one person.

Attach the Keyboard Tray Assembly to the underside of the desktop as shown using #8 x 1" Pan Head Screws(A).



#8 x 1" Pan Head Screw
Quantity - 4 Pcs.

