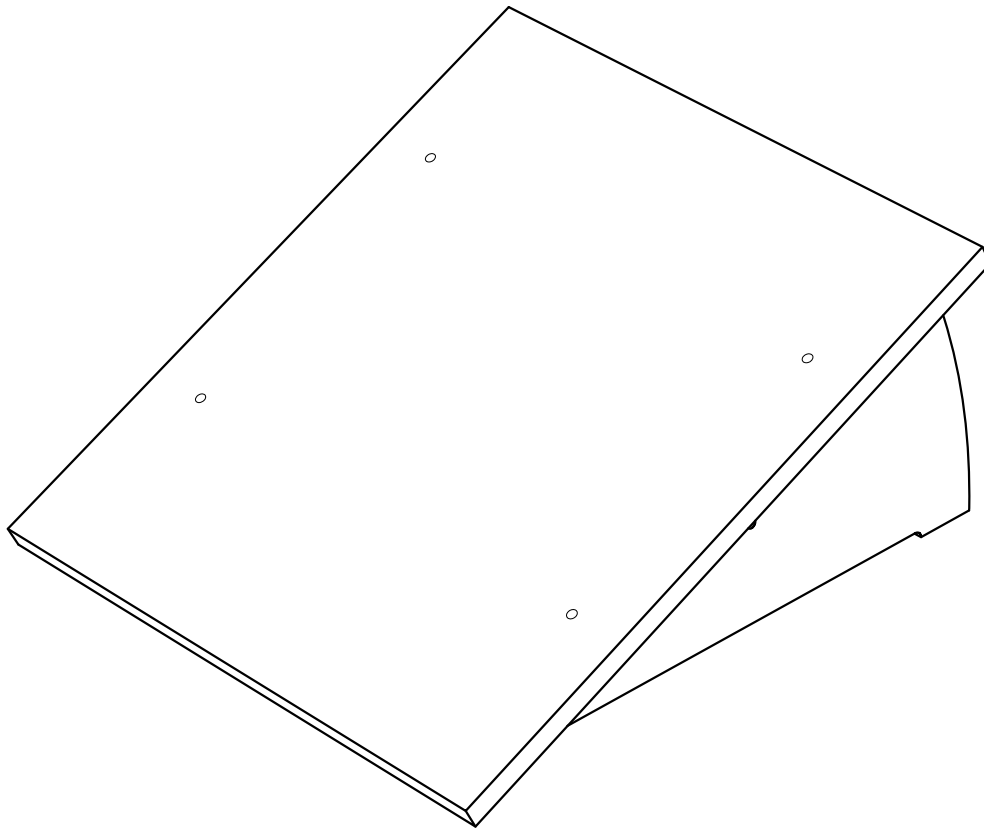


# Versa II Assembly Instructions - Solid Wedge Top



Thank you for your purchase from Sterling Modular Systems, Inc.  
We hope you have years of success with this finely engineered piece of furniture.

If you have any questions regarding assembly, missing or damaged pieces.  
Please contact us:

---

Telephone: 610-369-5802 (8am to 3pm EST)  
Email: [sales@sterlingmodular.com](mailto:sales@sterlingmodular.com)

---

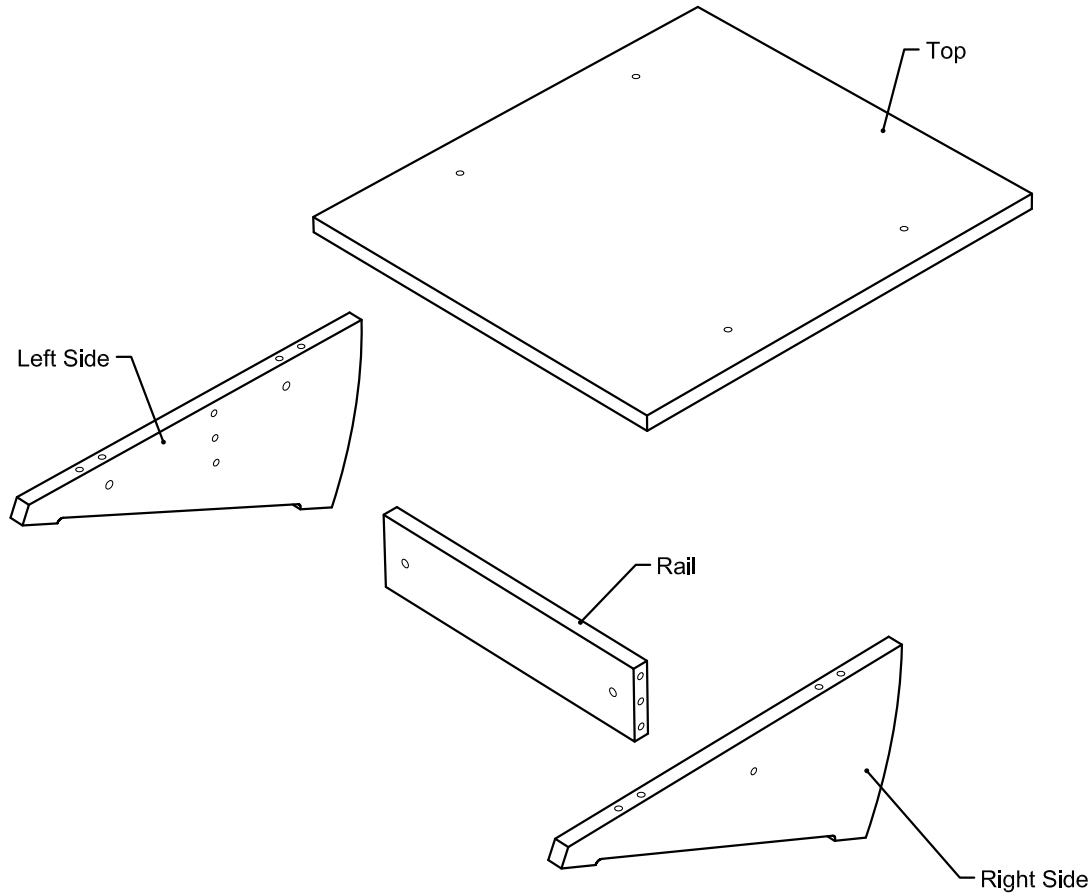
Thank You,  
Sterling Modular Systems, Inc.



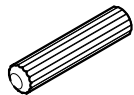
# Versa II Assembly Instructions - Solid Wedge Top

## Hardware

Note:  
Please unpack and organize all hardware prior to assembly.



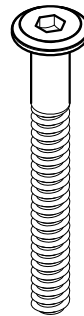
## Exploded View



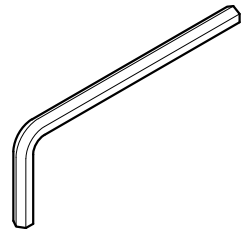
Wood Dowel  
Quantity - 12 Pcs.



Connector Nut  
Quantity - 6 Pcs.



55mm x 1/4-20 Connector Bolt  
Quantity - 6 Pcs.

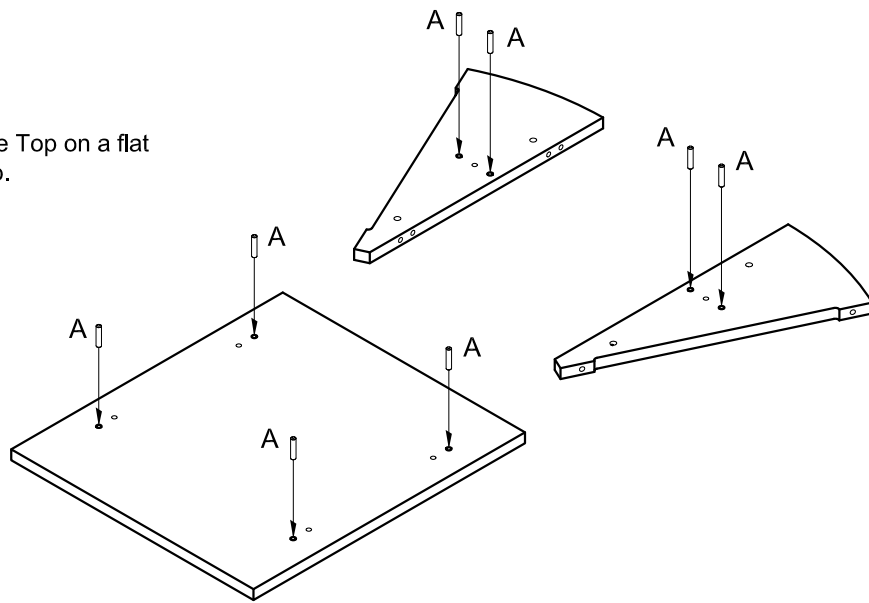


5/32 Allen Wrench  
Quantity - 1 Pc.



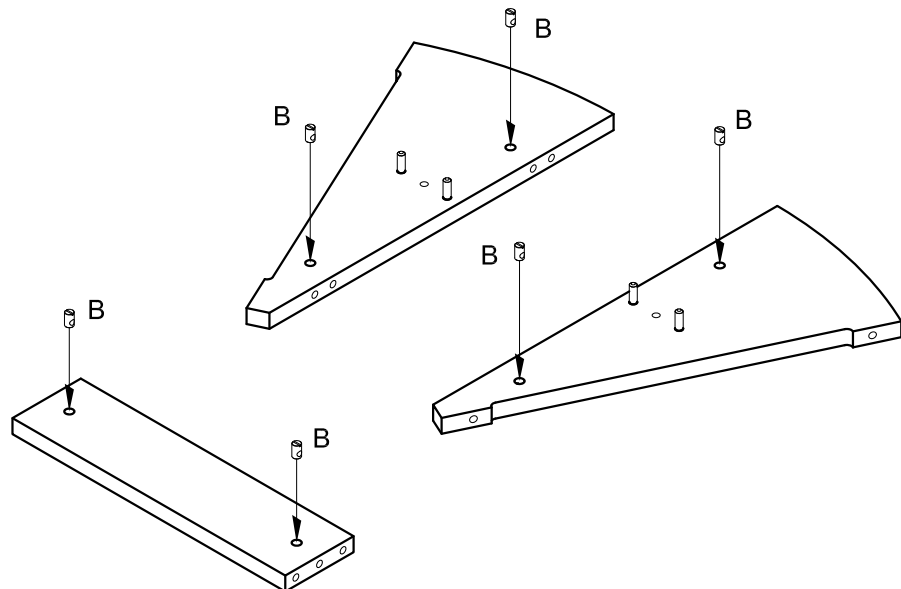
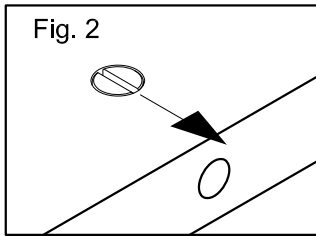
# Step 1

Place the Right Side, Left Side, and the Top on a flat surface with the Dowel Holes facing up. Insert Wood Dowels(A) as shown.



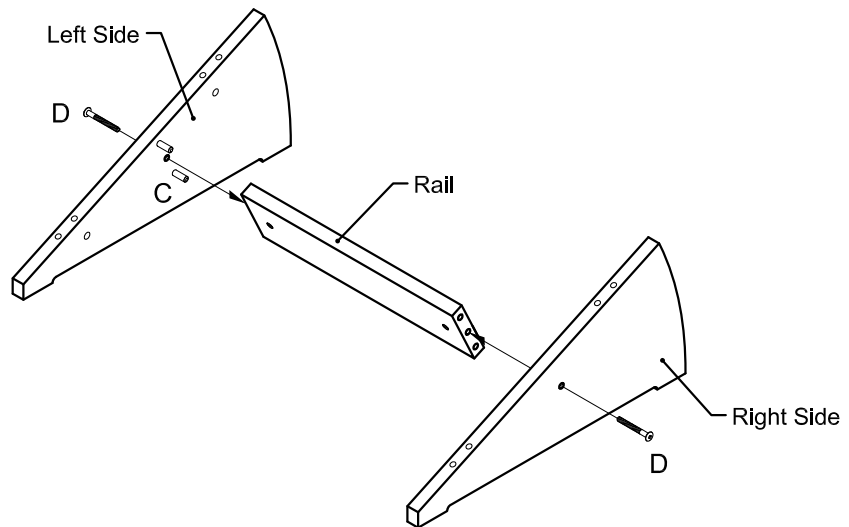
# Step 2

Place the Right Side, Left Side, and Rail on a flat surface with the Connector Nut holes facing up. Insert Connector Nuts (B) in the holes with the slotted end facing up, and align as shown in Figure 2.



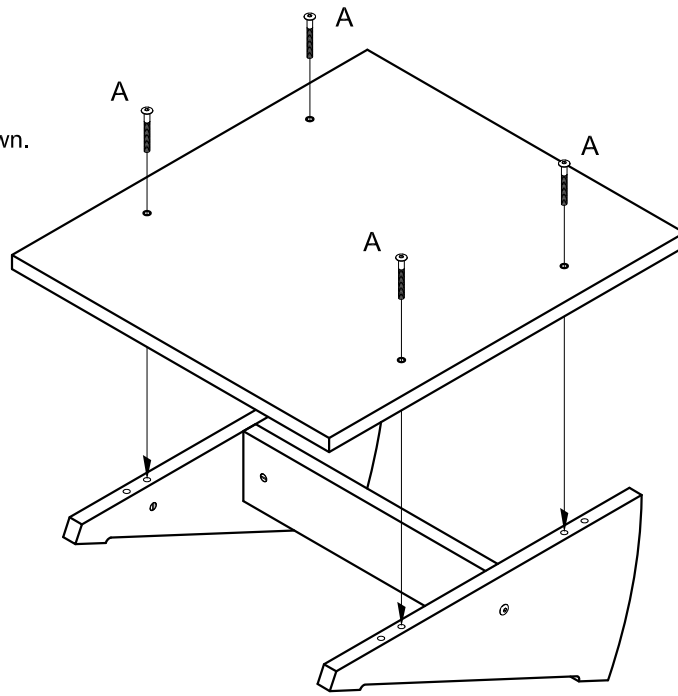
# Step 3

Assemble the Sides and Rail as shown. Press Sides to Rail using Wood Dowels(C) for alignment and Fasten with 55mm x 1/4-20 Connector Bolts(D).



## Step 4

Assemble the Top to the Side/Rail assembly as shown. Press together using the Dowels for alignment and fasten with 55mm x 1/4-20 Connector Bolts.



## Step 5

Insert Wood Dowels(B) into the Front and Back Top Rails as shown. Align the inserted Wood Dowels to the Wedge Top holes and press together.

